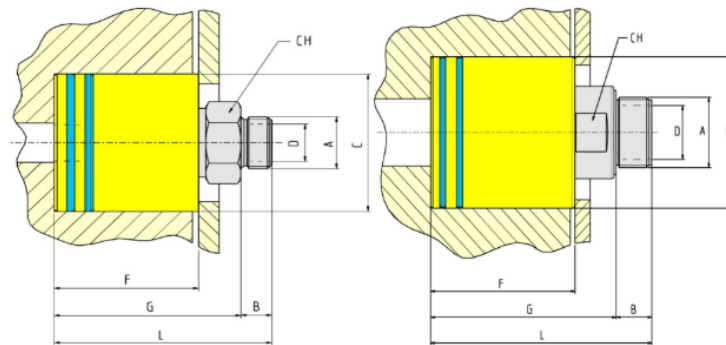


GRI 08 - 25

GRI 32 - 50



TYPE	A BSP	B	C	D	F	G	L	CH	PDF
GRI 08	1/4	11	48	7	52.5	65.5	76.5	24	→
GRI 10	3/8	12	48	9	52.5	64.5	76.5	24	→
GRI 15	1/2	15	60	13	67.5	83.3	98.3	32	→
GRI 20	3/4	15	70	19	70	90.5	105.5	36	→
GRI 25	1"	20	80	25	76	96.5	116.5	41	→
GRI 32	1 1/4	23.5	90	32	95	122.1	145.6	50	→
GRI 40	1 1/2	28.5	108	38	103	132.5	161	55	→
GRI 50	2"	33.5	125	48	116	149.5	183	65	→