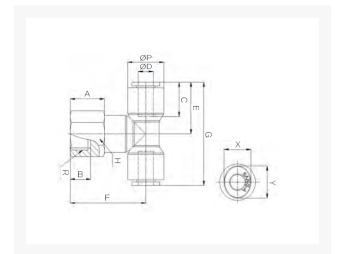
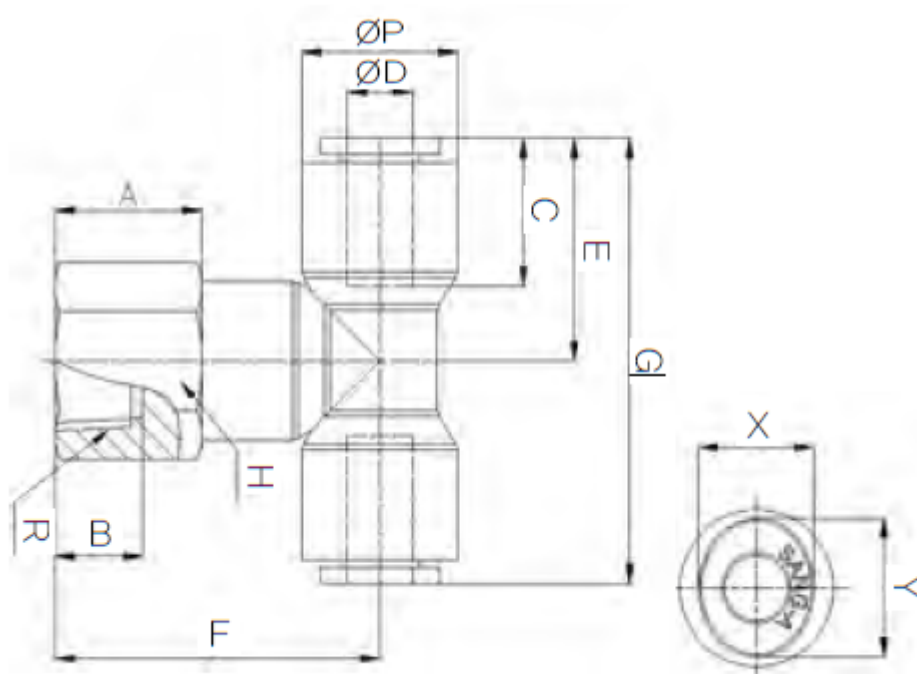


T- OPSCHROEF PIF Ø06-R1/8 PPSU

Product Images



Afmetingen



| MODEL | ØD | ØP | A | B | C | E | F | G | R | H | X | Y |
|-------------|----|------|----|----|------|------|------|------|--------|----|------|------|
| HR-PTF 04M5 | 4 | 11.9 | 8 | 5 | 14.9 | 18.5 | 22.5 | 37 | M5 | 13 | 8.6 | 10.8 |
| HR-PTF 0401 | 4 | 11.9 | 11 | 9 | 14.9 | 18.5 | 22.5 | 37 | PT 1/8 | 13 | 8.6 | 10.8 |
| HR-PTF 0402 | 4 | 11.9 | 14 | 12 | 14.9 | 18.5 | 28.5 | 37 | PT 1/4 | 16 | 8.6 | 10.8 |
| HR-PTF 06M5 | 6 | 14.9 | 8 | 5 | 15.7 | 21 | 25 | 42 | M5 | 15 | 11 | 13 |
| HR-PTF 0601 | 6 | 14.9 | 11 | 9 | 15.7 | 21 | 28 | 42 | PT 1/8 | 15 | 11 | 13 |
| HR-PTF 0602 | 6 | 14.9 | 14 | 12 | 15.7 | 21 | 31 | 42 | PT 1/4 | 16 | 11 | 13 |
| HR-PTF 0801 | 8 | 16.9 | 10 | 9 | 17.8 | 23.6 | 29 | 47.2 | PT 1/8 | 17 | 13 | 15 |
| HR-PTF 0802 | 8 | 16.9 | 14 | 12 | 17.8 | 23.6 | 33 | 47.2 | PT 1/4 | 17 | 13 | 15 |
| HR-PTF 0803 | 8 | 16.9 | 15 | 13 | 17.8 | 23.6 | 34 | 47.2 | PT 3/8 | 19 | 13 | 15 |
| HR-PTF 1002 | 10 | 19.5 | 14 | 12 | 19.8 | 26.4 | 35 | 52.8 | PT 1/4 | 20 | 16 | 18.5 |
| HR-PTF 1003 | 10 | 19.5 | 15 | 13 | 19.8 | 26.4 | 36 | 52.8 | PT 3/8 | 20 | 16 | 18.5 |
| HR-PTF 1004 | 10 | 19.5 | 19 | 16 | 19.8 | 26.4 | 40 | 52.8 | PT 1/2 | 24 | 16 | 18.5 |
| HR-PTF 1202 | 12 | 23.5 | 14 | 12 | 22.4 | 30.9 | 39 | 61.8 | PT 1/4 | 24 | 19.5 | 22.5 |
| HR-PTF 1203 | 12 | 23.5 | 15 | 13 | 22.4 | 30.9 | 40 | 61.8 | PT 3/8 | 24 | 19.5 | 22.5 |

| | | | | | | | | | | | | |
|----------------|----|------|----|----|------|------|----|------|--------|----|------|------|
| HR-PTF 1204 | 12 | 23.5 | 19 | 16 | 22.4 | 30.9 | 44 | 61.8 | PT 1/2 | 24 | 19.5 | 22.5 |
|----------------|----|------|----|----|------|------|----|------|--------|----|------|------|

Additional Information

| | |
|---------------|---------------|
| EAN Code | 8719426564912 |
| Artikelnummer | HRPTF06-01 |
| Aansluiting 1 | Binnendraad |
| Merk | Sang-A |
| Fabrikant | Sang-A |
| Materiaal | PPSU |
| Diameter | 6mm |
| Draadmaat 1 | 1/8" |
| Draadsoort 1 | BSPT |
| Vorm | T |