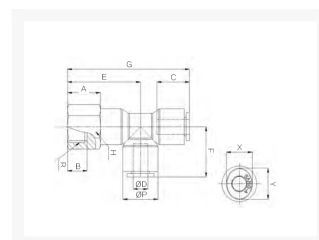
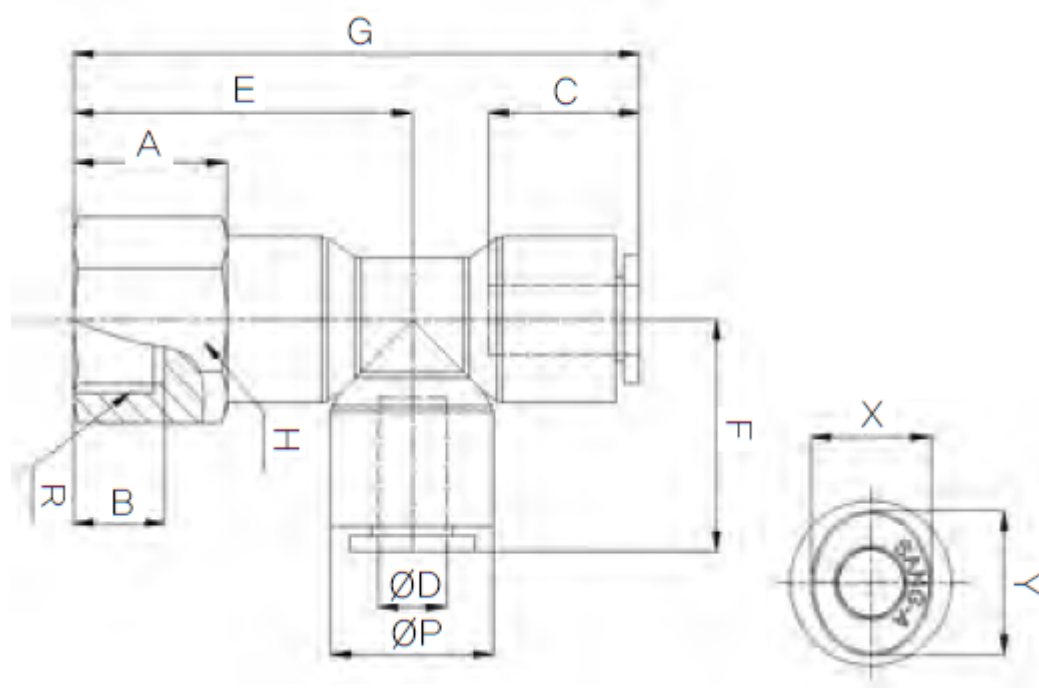


L-OPSCHROEF PIF Ø10-G1/4 PPSU

Product Images



Afmetingen



| MODEL | ØD | ØP | A | B | C | E | F | G | R | H | X | Y |
|---------------|----|------|----|----|------|------|------|------|--------|----|------|------|
| HR-PSTF 04G01 | 4 | 11.9 | 10 | 9 | 14.9 | 24.5 | 18.5 | 43 | PF 1/8 | 13 | 8.6 | 10.8 |
| HR-PSTF 04G02 | 4 | 11.9 | 14 | 12 | 14.9 | 28.5 | 18.5 | 47 | PF 1/4 | 16 | 8.6 | 10.8 |
| HR-PSTF 06G01 | 6 | 14.9 | 10 | 9 | 15.7 | 27 | 21 | 48 | PF 1/8 | 15 | 11 | 13 |
| HR-PSTF 06G02 | 6 | 14.9 | 14 | 12 | 15.7 | 31 | 21 | 52 | PF 1/4 | 16 | 11 | 13 |
| HR-PSTF 08G01 | 8 | 16.9 | 10 | 9 | 17.8 | 29 | 23.6 | 52.6 | PF 1/8 | 17 | 13 | 15 |
| HR-PSTF 08G02 | 8 | 16.9 | 14 | 12 | 17.8 | 33 | 23.6 | 56.6 | PF 1/4 | 17 | 13 | 15 |
| HR-PSTF 08G03 | 8 | 16.9 | 15 | 13 | 17.8 | 34 | 23.6 | 57.6 | PF 3/8 | 19 | 13 | 15 |
| HR-PSTF 10G02 | 10 | 19.5 | 14 | 12 | 19.8 | 35 | 26.4 | 61.4 | PF 1/4 | 20 | 16 | 18.5 |
| HR-PSTF 10G03 | 10 | 19.5 | 15 | 13 | 19.8 | 36 | 26.4 | 62.4 | PF 3/8 | 20 | 16 | 18.5 |
| HR-PSTF 10G04 | 10 | 19.5 | 19 | 16 | 19.8 | 40 | 26.4 | 66.4 | PF 1/2 | 24 | 16 | 18.5 |
| HR-PSTF 12G02 | 12 | 23.5 | 14 | 12 | 22.4 | 39 | 30.9 | 69.9 | PF 1/4 | 24 | 19.5 | 22.5 |
| HR-PSTF 12G03 | 12 | 23.5 | 15 | 13 | 22.4 | 40 | 30.9 | 70.9 | PF 3/8 | 24 | 19.5 | 22.5 |
| HR-PSTF 12G04 | 12 | 23.5 | 19 | 16 | 22.4 | 44 | 30.9 | 74.9 | PF 1/2 | 24 | 19.5 | 22.5 |

Additional Information

| | |
|---------------|---------------|
| EAN Code | 8719426565476 |
| Artikelnummer | HRPSTF10-G02 |
| Aansluiting 1 | Binnendraad |
| Merk | Sang-A |
| Fabrikant | Sang-A |
| Materiaal | PPSU |
| Diameter | 10mm |
| Draadmaat 1 | 1/4" |
| Draadsoort 1 | BSPP |
| Vorm | L |