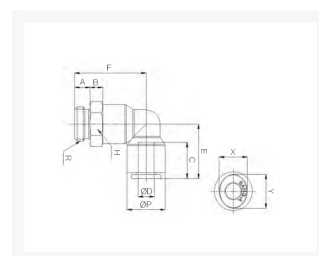


HAAKSE INNSCHR. PIF Ø12-G1/4 PPSU

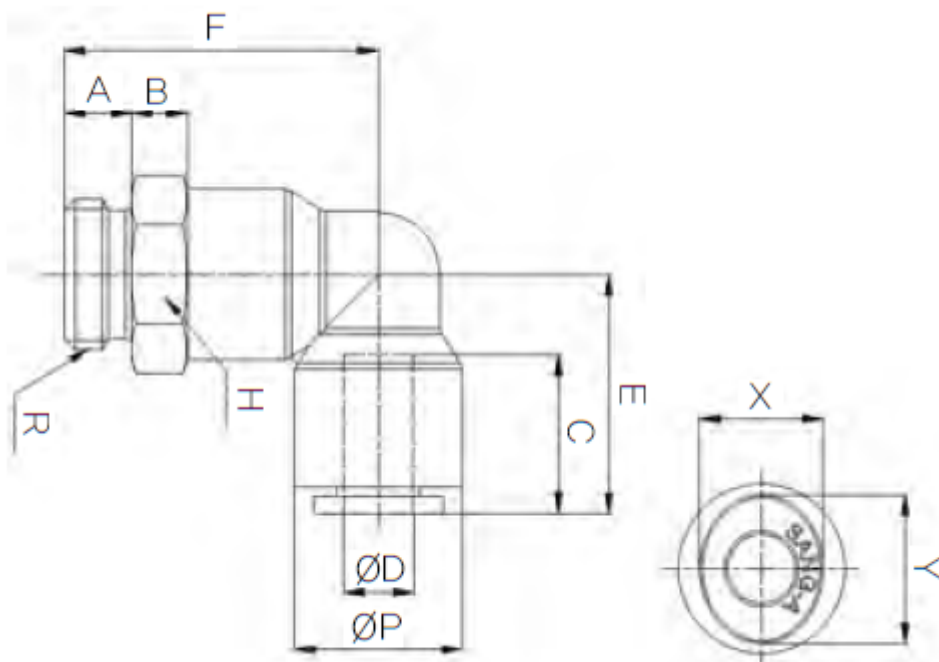
Product Images



Omschrijving

De push-in fitting heeft een PPSU body, de draad is uitgevoerd in RVS316.

Afmetingen



| MODEL | ØD | ØP | A | B | C | E | F | R | H | X | Y |
|-------------|----|------|-----|---|------|------|------|--------|----|------|------|
| HR-PL 04G01 | 4 | 11.9 | 5.3 | 8 | 14.9 | 18.5 | 27.8 | PF 1/8 | 13 | 8.6 | 10.8 |
| HR-PL 04G02 | 4 | 11.9 | 6 | 8 | 14.9 | 18.5 | 28.5 | PF 1/4 | 17 | 8.6 | 10.8 |
| HR-PL 06G01 | 6 | 14.9 | 5.3 | 8 | 15.7 | 21 | 30.3 | PF 1/8 | 15 | 11 | 13 |
| HR-PL 06G02 | 6 | 14.9 | 6 | 8 | 15.7 | 21 | 31 | PF 1/4 | 17 | 11 | 13 |
| HR-PL 08G01 | 8 | 16.9 | 5.3 | 8 | 17.8 | 23.6 | 32.3 | PF 1/8 | 17 | 13 | 15 |
| HR-PL 08G02 | 8 | 16.9 | 6 | 8 | 17.8 | 23.6 | 33 | PF 1/4 | 17 | 13 | 15 |
| HR-PL 08G03 | 8 | 16.9 | 7 | 8 | 17.8 | 23.6 | 34 | PF 3/8 | 20 | 13 | 15 |
| HR-PL 10G02 | 10 | 19.5 | 6 | 8 | 19.8 | 26.4 | 35 | PF 1/4 | 20 | 16 | 18.5 |
| HR-PL 10G03 | 10 | 19.5 | 7 | 8 | 19.8 | 26.4 | 36 | PF 3/8 | 20 | 16 | 18.5 |
| HR-PL 10G04 | 10 | 19.5 | 8.5 | 8 | 19.8 | 26.4 | 37.5 | PF 1/2 | 24 | 16 | 18.5 |
| HR-PL 12G02 | 12 | 23.5 | 6 | 8 | 22.4 | 30.9 | 39 | PF 1/4 | 24 | 19.5 | 22.5 |

| | | | | | | | | | | | |
|----------------|----|------|-----|---|------|------|------|--------|----|------|------|
| HR-PL 12G03 | 12 | 23.5 | 7 | 8 | 22.4 | 30.9 | 40 | PF 3/8 | 24 | 19.5 | 22.5 |
| HR-PL 12G04 | 12 | 23.5 | 8.5 | 8 | 22.4 | 30.9 | 41.5 | PF 1/2 | 24 | 19.5 | 22.5 |

Additional Information

| | |
|---------------|---------------|
| EAN Code | 8719426563106 |
| Artikelnummer | HRPL12-G02 |
| Aansluiting 1 | Buitendraad |
| Merk | Sang-A |
| Fabrikant | Sang-A |
| Materiaal | PPSU |
| Diameter | 12mm |
| Draadmaat 1 | 1/4" |
| Draadsoort 1 | BSPP |
| Vorm | Haaks |