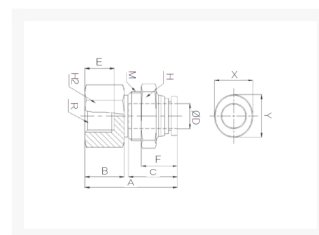
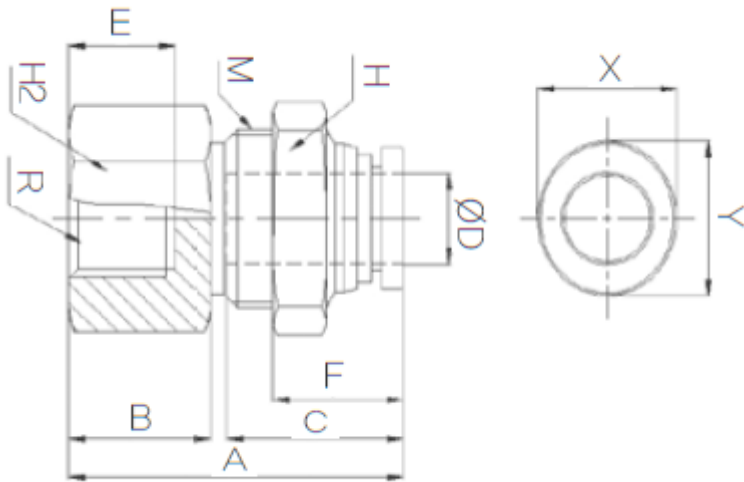


OPSCH-SCHOTDOORVOER Ø10- G1/4 RVS316

Product Images



Afmetingen



MODEL	ØD	M	A	B	C	E	F	H	R	X	Y
F-PMF 04G01	4	M12X1	=21.5+4	11	14.9	9	10.6	14	PF1/8	8.6	10.5
F-PMF 06G01	6	M15X1	=23+3.75	9	15.75	9	11.25	17	PF1/8	11	12.5
F-PMF 06G02	6	M15X1	=28+3.75	14	15.75	12	11.25	17	PF1/4	11	12.5
F-PMF 08G01	8	M17X1	=25.7+4.7	9	17.75	9	13.8	19	PF1/8	13	14.5
F-PMF 08G02	8	M17X1	=30.7+4.7	14	17.75	12	13.8	19	PF1/4	13	14.5
F-PMF 10G02	10	M20X1	=27.5+5.2	13	19.8	12	14.4	22	PF1/4	16	17.5
F-PMF 10G03	10	M20X1	=29.5+5.2	15	19.8	13	14.4	22	PF3/8	16	17.5
F-PMF 12G03	12	M24X1	=31.6+5.8	14	22.4	13	16.4	24	PF3/8	19.5	21.5
F-PMF 12G04	12	M24X1	=35.6+5.8	18	22.4	16	16.4	24	PF1/2	19.5	21.5

Additional Information

EAN Code	8719426569979
Artikelnummer	FPMF10-G02
Aansluiting 1	Binnendraad
Merk	Sang-A
Fabrikant	Sang-A
Materiaal	RVS
Diameter	10mm
Draadmaat 1	1/4"
Draadsoort 1	BSPP
Vorm	Schotdoorvoer